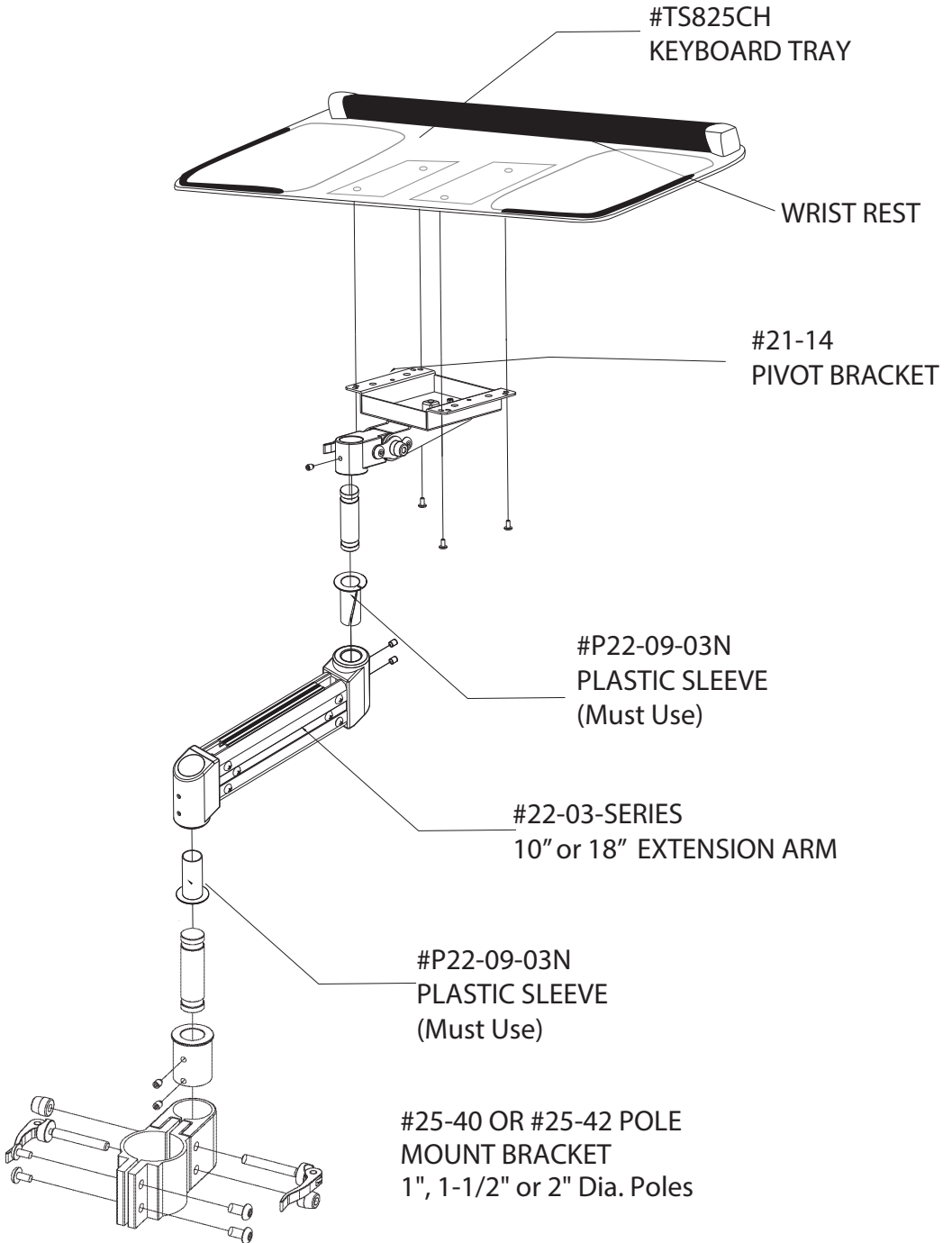


#60218-P KEYBOARD PLATFORM + EXTENSION ARM
POLE MOUNT



#TS825CH
KEYBOARD TRAY

WRIST REST

#21-14
PIVOT BRACKET

#P22-09-03N
PLASTIC SLEEVE
(Must Use)

#22-03-SERIES
10" or 18" EXTENSION ARM

#P22-09-03N
PLASTIC SLEEVE
(Must Use)

#25-40 OR #25-42 POLE
MOUNT BRACKET
1", 1-1/2" or 2" Dia. Poles